



# DURA-DOOR

**Dura-Door is the toughest walk door made by anyone . . . anywhere! The Dura-Door was developed through years of application testing. It will perform where others fail.**

Dura-door features a laminated white aluminum, or FRP plastic-to-wood finish on both sides of an expanded polystyrene core. The door perimeter is reinforced with wood capped with a heavy vinyl extrusion. The frame exterior is engineered wood with extruded aluminum trim. Stainless steel hardware and lites available.

## **Dura-Door Properties:**

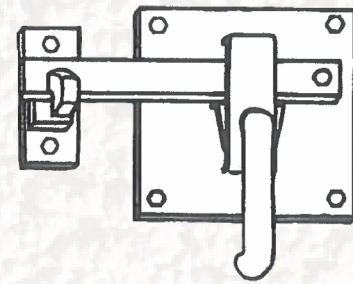
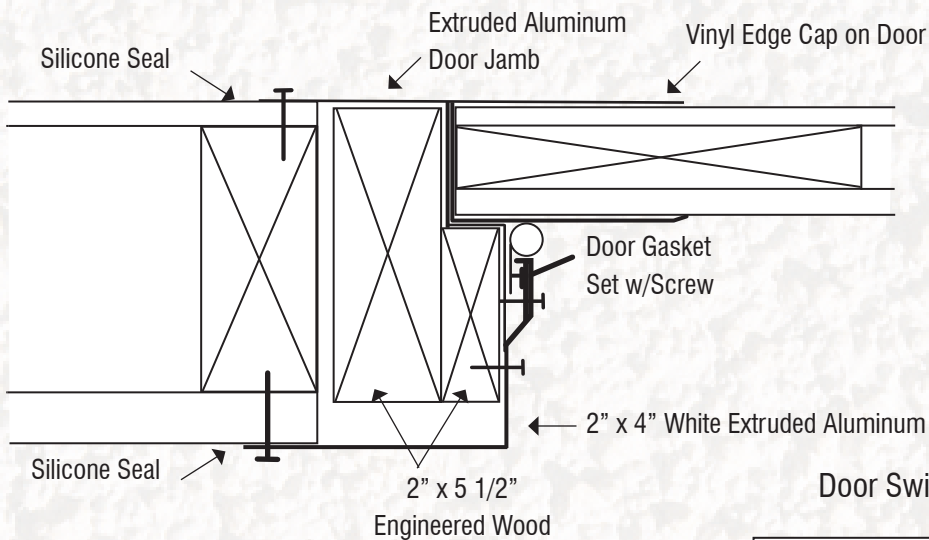
- Durable, heavy duty construction
- Heavy duty electroplated yellow zinc hinges and latch, wear resistant, sag resistant
- Optional stainless steel hardware available
- Pre-hung for fast installation
- Easily cleaned by chemical or steam
- USDA accepted finishes
- Moisture resistant
- Complete weather stripping, tight and draft free
- Vinyl extruded door plug capping, chip and split resistant
- Laminated door slab, rigid, warp resistant
- EPS insulated core, non CFC containing, R-5 condensation control
- 10" x 10" or 20" x 24" Lite available
- Stainless steel deadbolt available



## **Dura-Door Uses:**

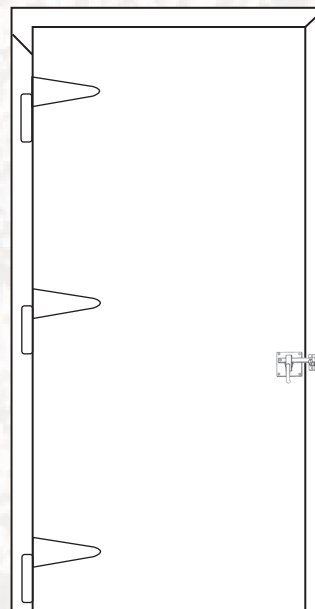
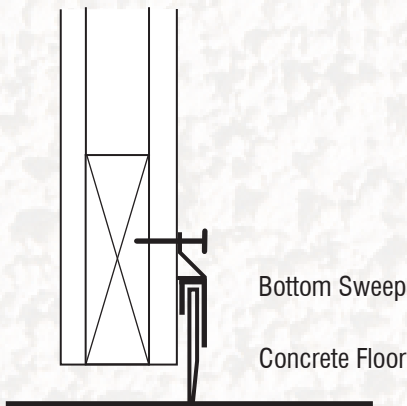
- Hog and dairy confinement
- General farm use
- Industrial applications
- Food processing

**Includes:** Door plug, door frame, heavy duty electroplated yellow zinc hinges, drop bar latch, and heavy duty extruded aluminum jamb trim with weather stripping. Pre-hung and individually packed for shipping.

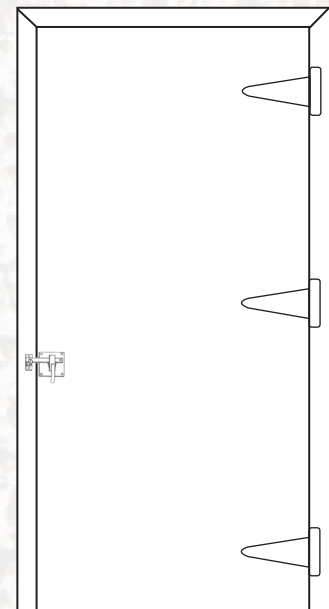


Electroplated Dura-Latch

Door Swings (Looking at Exterior Side of Door)



Left Hand Swing



Right Hand Swing



Dura-Door has a full surround LVL heavy-duty frame and a .10" aluminum perimeter flange.

FRP inswing doors.

Available in six standard sizes and custom sizes when requested.

DOOR SIZE	ROUGH OPENING
2' 0" x 6' 8"	28" x 82 1/2"
2' 6" x 6' 8"	34" x 82 1/2"
3' 0" x 6' 8"	40" x 82 1/2"
3' 6" x 6' 8"	46" x 82 1/2"
4' 0" x 6' 8"	52" x 82 1/2"
6'0" x 6'8" (Double)	76" x 82.5"

Phone: 712-859-3219

epsbuildings.com

100% Employee Owned-100% Committed to Quality

Since 1981-Simply Better Buildings!



Energy Panel Structures

603 N. Van Gordon Ave., Graettinger, IA 51342

Additional Manufacturing Locations:

Perryville, MO

573-547-8187

Clyde, NY

315-923-7775